

## 36 SERIES

- PRESSFIT NEON, LED & INCANDESCENT INDICATOR LIGHTS
- 5/16" DIA. MOUNTING HOLE • WHITE NYLON HOUSING
- FLUSH & HI-HAT LENSES • OPTIONAL ALUMINUM BEZEL • 6" WIRE LEADS
- SPEED NUT PROVIDED • 2 TO 250 DESIGN VOLTS • VARIOUS LENS COLORS
- UL AND CSA LISTED • UL FILE E20356 • CSA FILE LR15284-6

### Overview

The 36 Series indicator lights feature a wide variety of lens colors, voltage options and bezel variations. Indicators are designed to front mount into a 5/16" (7.93mm) mounting hole with a recommended panel thickness of 0.020" minimum. A speed nut, part number **8700091688**, is supplied.

### Specifications

**Housing:** white nylon. A black housing is available.

**Lens:** polycarbonate.

**Bezel:** aluminum. A black anodized bezel is available.

**Incandescent AC or DC voltage options:** 6, 14 and 28 volts.

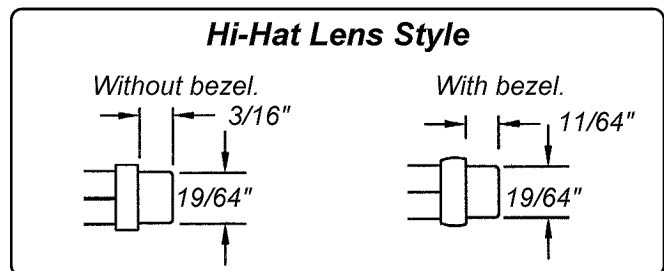
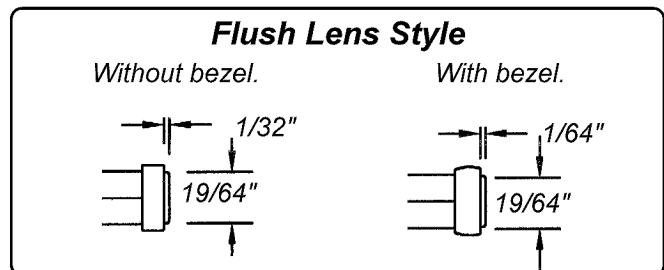
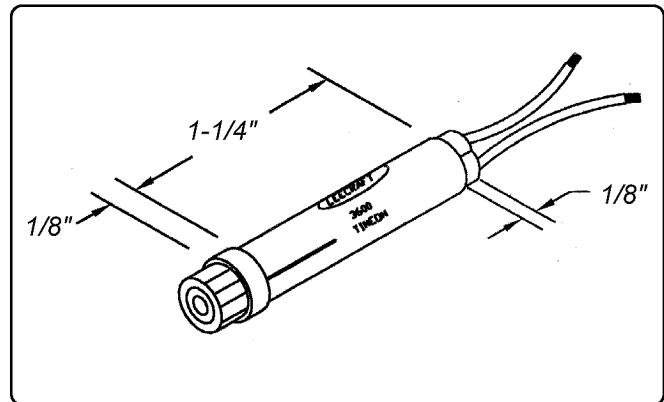
**Neon AC or DC voltage options:** 125 and 250 volts.  
**Note:** high brightness green and blue neon lamps supplied in green and blue neon applications.

**LED DC voltage options:** 2, 6, 12, 24 volts.

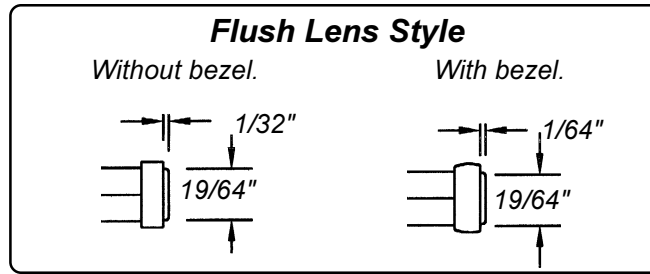
**LED AC voltage options:** 125 volts.

**Note:** 125 volts AC units contain a bi-polar LED.

**Two 6" wire leads:** #20 AWG, black, bare copper, PVC insulated, UL/CSA rated 105°C, 600 V, UL style 1015, stripped 1/2". For DC LED units, wire leads are color-coded red and black; the red wire lead denotes the anode (+) while a black wire lead identifies the cathode (-). For AC LED units, wire leads are white. Custom wire lengths, stripping, termination and wire types are available.



**36 Series**  
**Optional**  
**Aluminum Bezel**  
**5/16" Mounting Hole**  
**6 to 250 Design Volts**  
**Neon or**  
**Incandescent**



**6" Wire Leads**  
**Flush Lens**  
**White Housing**  
**Speed Nut**  
**Variety of**  
**Lens Colors**  
**PressFit**

Part Numbers Without Bezel	Part Numbers With Aluminum Bezel	Lens Color	Lamp Type	Design Volts	Design Watts or Amps	Life (hrs)
36N-2311	36EN-2311	Red	Neon	125	1/3W	25,000
36HN-2311	36HEN-2311	Red	Neon	250	1/3W	25,000
36NG1-2311	36ENG1-2311	Red	Incandescent	6	.20A	5,000
36NG3-2311	36ENG3-2311	Red	Incandescent	14	.10A	10,000
36NG18-2311	36ENG18-2311	Red	Incandescent	28	.04A	7,000
36N-2312	36EN-2312	Green	Neon	125	1/3W	25,000
36HN-2312	36HEN-2312	Green	Neon	250	1/3W	25,000
36NG1-2312	36ENG1-2312	Green	Incandescent	6	.20A	5,000
36NG3-2312	36ENG3-2312	Green	Incandescent	14	.10A	10,000
36NG18-2312	36ENG18-2312	Green	Incandescent	28	.04A	7,000
36N-2313	36EN-2313	Amber	Neon	125	1/3W	25,000
36HN-2313	36HEN-2313	Amber	Neon	250	1/3W	25,000
36NG1-2313	36ENG1-2313	Amber	Incandescent	6	.20A	5,000
36NG3-2313	36ENG3-2313	Amber	Incandescent	14	.10A	10,000
36NG18-2313	36ENG18-2313	Amber	Incandescent	28	.04A	7,000
36N-2314	36EN-2314	Blue	Neon	125	1/3W	25,000
36HN-2314	36HEN-2314	Blue	Neon	250	1/3W	25,000
36NG1-2314	36ENG1-2314	Blue	Incandescent	6	.20A	5,000
36NG3-2314	36ENG3-2314	Blue	Incandescent	14	.10A	10,000
36NG18-2314	36ENG18-2314	Blue	Incandescent	28	.04A	7,000
36N-2315	36EN-2315	White	Neon	125	1/3W	25,000
36HN-2315	36HEN-2315	White	Neon	250	1/3W	25,000
36NG1-2315	36ENG1-2315	White	Incandescent	6	.20A	5,000
36NG3-2315	36ENG3-2315	White	Incandescent	14	.10A	10,000
36NG18-2315	36ENG18-2315	White	Incandescent	28	.04A	7,000
36N-2317	36EN-2317	Clear	Neon	125	1/3W	25,000
36HN-2317	36HEN-2317	Clear	Neon	250	1/3W	25,000
36NG1-2317	36ENG1-2317	Clear	Incandescent	6	.20A	5,000
36NG3-2317	36ENG3-2317	Clear	Incandescent	14	.10A	10,000
36NG18-2317	36ENG18-2317	Clear	Incandescent	28	.04A	7,000

**Indicator Lights**